

# DESKS



# MATTING



### Height-adjustable and StandUp desks

Our manually operated height-adjustable desks are available in several models, sizes and colours, as well as with and without a fixed side hook. The desk can be raised and lowered easily, quickly and noiselessly via the lever on the side, which is connected to a gas spring. The associated DESKTOP top is available with a straight or bevelled edge. Design Dan Ihreborn.

StandUp height-adjustable desks come in a compact, flexible size that makes them very easy to place and incorporate into your interior design. They are designed with sustainability in focus, without cords or environmentally harmful batteries. The desks are an ideal solution for the workplace, the home office or in the classroom, where they can be used by individual students, groups and teachers.

The StandUp DESK is Möbelfakta-marked\* and Swedish-made from sustainable materials. All its parts can be replaced, thus ensuring a long service life. The DESK is designed to work optimally at a normal load weight of about 10 kg (equivalent to an external screen, laptop, desk lighting and accessories). The gas spring provides the best lifting force at this weight. DESK 1200 works optimally at a normal load weight of 5-15kg.

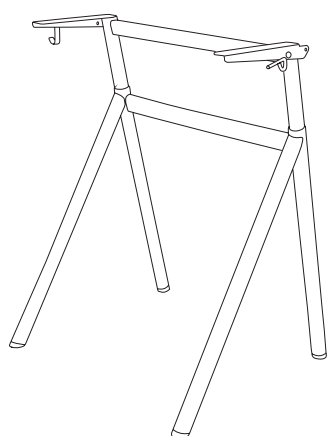
Wheels on the front legs and a fold-down top are available as optional extras for the frames 700 and 900. Select the colour of the frame and then the material and colour of the top and edging. On the next page, you can see which of the frames you can select for each desktop.

Below you will find our Standard and Selected product ranges. The DESK frame and DESKTOP top are also available in custom colours and dimensions, as a Special order. Request a price quote.

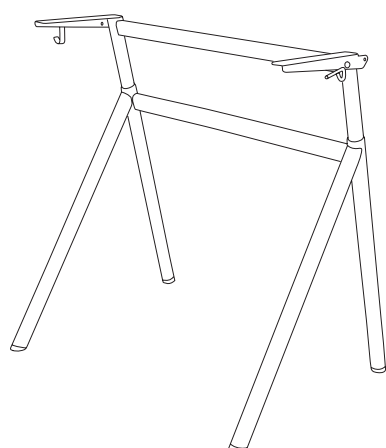
*\*The Möbelfakta marking only applies when the frame is mounted with a designated top from MATTING.*



H 730-1170  
L 640  
W 587



H 730-1170  
L 880  
W 587



## StandUp DESK frame

DESK frames are available in three models: 700, 900 and 1200. The 700 frame fits our smaller DESKTOP and BLOSSOM desktops, and the 900 frame fits with our wider DESKTOP and TRAPETS desktops (L:940-960 mm). For the frame 1200 fits our largest DESKTOP's (L:1200 mm). The frame comes with a fixed side hook or without hook. The frame 1200 is equipped with a double lever. Design Dan Ihreborn.

\*The Möbelfakta marking only applies when the frame is mounted with a designated top from MATTING.

**With hook:** Powder-coated finish, chrome undercarriage. Adjustable foot pads. Material: Steel, chrome, ABS plastic.

Dimensions (mm)	Model	Colour	Standard*/Selected**	Item no.
640 x 587	700	White RAL 9010	Standard	384049
640 x 587	700	Grey RAL 7010	Standard	385010
640 x 587	700	Silver RAL 9006	Standard	386010
880 x 587	900	White RAL 9010	Selected	389511
880 x 587	900	Grey RAL 7010	Selected	389510
880 x 587	900	Silver RAL 9006	Selected	389512

**Without hook:** Powder-coated finish, chrome undercarriage. Adjustable foot pads. Material: Steel, chrome, ABS plastic.

Dimensions (mm)	Model	Colour	Standard*/Selected**	Item no.
640 x 587	700	White RAL 9010	Selected	384047
640 x 587	700	Grey RAL 7039	Selected	384048
640 x 587	700	Black RAL 9005	Selected	384046
640 x 587	700	Sandstone Grey RAL 7044	Selected	384045
880 x 587	900	White RAL 9010	Standard	389521
880 x 587	900	Grey RAL 7039	Selected	389520
880 x 587	900	Black RAL 9005	Standard	389522
880 x 587	900	Sandstone Grey RAL 7044	Selected	389523
1129 x 600	1200	White RAL 9010	Selected	384056
1129 x 600	1200	Grey RAL 7039	Selected	384058
1129 x 600	1200	Black RAL 9005	Selected	384057
1129 x 600	1200	Sandstone Grey RAL 7044	Selected	384059

Standard\* = standard product range with immediate delivery.  
Selected\*\* = our selected colours/finishes at fixed prices, with a delivery time of 6-8 weeks. A set-up cost SEK 1500 per colour/order will be added.  
If you have a request for more than 24 pieces, please contact us for a price quote.

## HEIGHT-ADJUSTABLE DESKS

**DESK ZINC frame with hook:** Powder-coated finish, electroplated undercarriage. Adjustable foot pads. Material: Steel, zinc, ABS plastic.

Dimensions (mm)	Model	Colour	Standard*/ Selected**	Item no.
640 x 587	700	Silver RAL 9006	Standard	386015
880 x 587	900	Silver RAL 9006	Selected	386020

### StandUp BLOSSOM frame

The BLOSSOM frame fits our BLOSSOM desktops. The frame is available with or without a fixed side hook. Design Dan Ihreborn.

*\*The Möbelfakta marking only applies when the frame is mounted with a designated top from MATTING.*

**BLOSSOM stand:** Powder-coated finish, chrome undercarriage. With a lever adapted for BLOSSOM desktops. Adjustable foot pads. Materials: Steel, chrome, ABS plastic.

Dimensions (mm)	Model	Colour	Standard*/ Selected**	Item no.
640 x 587	BLOSSOM	White RAL 9010	Selected	386031
640 x 587	BLOSSOM	Grey RAL7010	Selected	386033
640 x 587	BLOSSOM	Grey RAL 7039	Selected	386034
640 x 587	BLOSSOM	Silver RAL 9006	Selected	386032
640 x 587	BLOSSOM	Black RAL 9005	Selected	386036
640 x 587	BLOSSOM	Sandstone Grey RAL 7044	Selected	386035

Optional extras	Model	Colour	Standard*/ Selected**	Item no.
DESK castors, pair		Grey	Standard	385056
DESK fold-down fittings		Metal	Standard	385059

Choice of top; see pages 9-13.

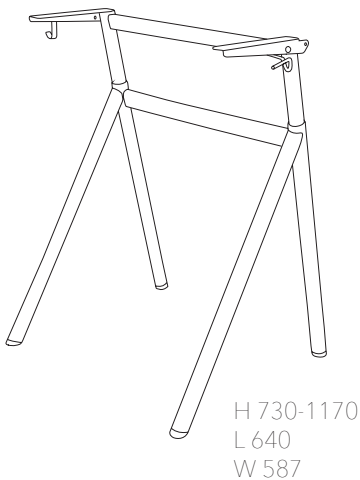
The DESK 700 frame fits our smaller desktops and DESK 900 fits our wider desktops (L:940-960 mm).

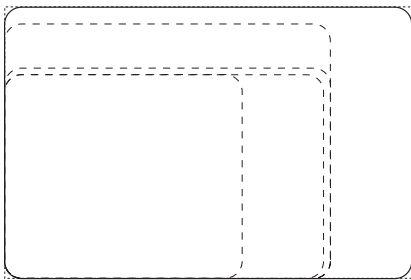
For desktop and stand colours and materials, see below.

Standard\* = standard product range with immediate delivery.

Selected\*\* = our selected colours/finishes at fixed prices, with a delivery time of 6-8 weeks. A set-up cost SEK 1500 per colour/order will be added.

If you would like to enquire about an order of more than 24 pieces, please contact us for a price quote.

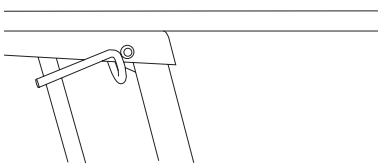




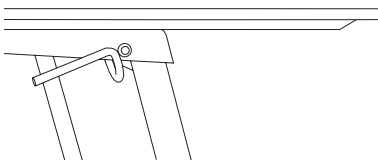
H 10/20/22.5    H 10/20  
L 700            L 960  
W 600            W 620/750

H 20/22.5  
L 940  
W 600

Straight edge



Bevelled edge



## DESKTOP top

DESKTOP is available in several variants in different sizes. Comes in a chipboard or MDF core and a variety of surfaces (with or without sound absorption) and a straight or bevelled edge. Our desktops come with rounded corners as standard and are also available with straight corners.

**Desktop Linoleum (DT):** CO<sub>2</sub>-neutral furniture linoleum surface, chipboard (straight edge) or MDF (bevelled edge) core.

Dimensions (mm)	Desktop colour	Edge	Standard*/ Selected**	Item no.
700 x 600 x 20	Optional	Straight	Selected	385022
700 x 600 x 10	Optional	Bevelled	Selected	385023
960 x 620 x 20	Optional	Straight	Selected	385027
960 x 620 x 10	Optional	Bevelled	Selected	385028
1200 x 800 x 20	Optional	Straight/round	Selected	385120
1200 x 800 x 20	Optional	Straight/sharp	Selected	385121
1200 x 800 x 20	Optional	Bevelled/round	Selected	385122
1200 x 800 x 20	Optional	Bevelled/sharp	Selected	385123

Select a DESK 700, 900 or 1200 frame for a DESKTOP top; see pages 7-8. The DESK frame 700 fits our smaller desktops and DESK 900 fits our wider desktops (L:940-960 mm and wider). DESK frame 1200 fits our largest desktops (L:1200)

*Standard\** = standard product range with immediate delivery.

*Selected\*\** = our selected colours/finishes at fixed prices, with a delivery time of 6-8 weeks. Cutting charges may apply.

## HEIGHT-ADJUSTABLE DESKS

### Environmentally friendly choice

Our desktops can be ordered with 100% recycled chipboard cores for a fixed addition of 23 €/pc. The Desktop Linoleum and Marmoleum Decibel 3.5 surfaces are made of all-natural raw materials and are CO<sub>2</sub>-neutral.

**Laminate (LM):** Laminate surface, chipboard core.

Dimensions (mm)	Desktop colour	Edge	Standard*/Selected**	Item no.
700 x 600 x 20	White	Straight	Standard	385048
700 x 600 x 20	Pale Grey	Straight	Standard	385040
700 x 600 x 20	Birch	Straight	Standard	385047
940 x 600 x 20	White	Straight	Standard	389553
940 x 600 x 20	Pale Grey	Straight	Selected	389550
1200 x 800 x 20	Optional	Straight/round	Selected	385124
1200 x 800 x 20	Optional	Straight/sharp	Selected	385125

**High-Pressure Laminate (HPL):** High-pressure laminate surface, MDF core.

Dimensions (mm)	Desktop colour	Edge	Standard*/Selected**	Item no.
700 x 600 x 20	White	Straight	Standard	385049
700 x 600 x 20	Pale Grey	Straight	Standard	385041
700 x 600 x 10	White	Bevelled	Standard	385032
700 x 600 x 10	Grey	Bevelled	Selected	385033
700 x 600 x 10	Black	Bevelled	Selected	385031
960 x 620 x 10	White	Bevelled	Standard	389548
960 x 620 x 10	Grey	Bevelled	Selected	389549
960 x 620 x 10	Black	Bevelled	Standard	389545
960 x 620 x 10	White Ash	Bevelled	Selected	389546
960 x 620 x 10	Blackened Legno	Bevelled	Selected	389547
960 x 750 x 10	White	Bevelled	Standard	389570
960 x 750 x 10	Grey	Bevelled	Selected	389572
960 x 750 x 10	Black	Bevelled	Selected	389571
1200 x 800 x 10	Optional	Bevelled/round	Selected	385142

**High-Pressure Laminate (HPL):** High-pressure laminate surface, 100% recycled chipboard core.

Dimensions (mm)	Desktop colour	Edge	Standard*/Selected**	Item no.
1200 x 800 x 22	Optional	Straight/round	Selected	385140 180
1200 x 800 x 22	Optional	Straight/sharp	Selected	385141 155

Select a DESK 700, 900 or 1200 frame for a DESKTOP top; see pages 7-8. The DESK frame 700 fits our smaller desktops and DESK 900 fits our wider desktops (L:940-960 mm and wider). DESK frame 1200 fits our largest desktops (L:1200).

For desktop and stand colours and materials, see below.

*Standard\** = standard product range with immediate delivery

*Selected\*\** = our selected colours/finishes at fixed prices, with a delivery time of 6-8 weeks. Cutting charges may apply.



Desktop Linoleum and  
Marmoleum Decibel 3.5



100% recycled chipboard (optional)

## Environmentally friendly choice

Our desktops can be ordered with 100% recycled chipboard cores for a fixed addition of 23 €/pc. The Desktop Linoleum and Marmoleum Decibel 3.5 surfaces are made of all-natural raw materials and are CO<sub>2</sub>-neutral.

## Sound-absorbing desktops

**Marmoleum Decibel (MD):** CO<sub>2</sub>-neutral, Marmoleum Decibel 3.5 linoleum surface, chipboard core.

Dimensions (mm)	Desktop colour	Edge	Standard*/Selected**	Item no.
700 x 600 x 22.5	Dove Grey	Straight	Standard	385042
700 x 600 x 22.5	Serene Grey	Straight	Selected	385090
940 x 600 x 22.5	Dove Grey	Straight	Selected	389552
940 x 600 x 22.5	Serene Grey	Straight	Selected	389558

**Acoustic laminate (SLS):** Laminate surface with cork sound absorption, chipboard core.

Dimensions (mm)	Desktop colour	Edge	Standard*/Selected**	Item no.
700 x 600 x 22.5	Pale Grey	Straight	Selected	385070

Select a DESK 700, 900 or 1200 frame for a DESKTOP top; see pages 7-8. The DESK frame 700 fits our smaller desktops and DESK 900 fits our wider desktops (L:940-960 mm and wider). DESK frame 1200 fits our largest desktops (L:1200).

For desktop and frame colours and materials, see below.

*Standard\* = standard product range with immediate delivery*

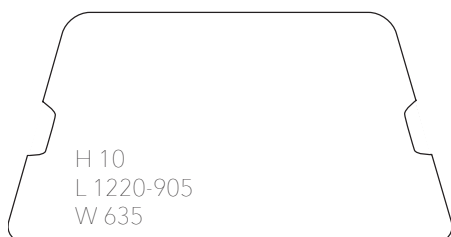
*Selected\*\* = our selected colours/finishes at fixed prices, with a delivery time of 6-8 weeks. Cutting charges may apply.*



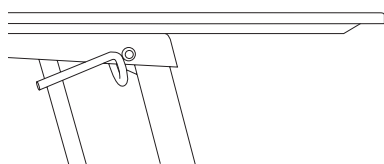
Desktop Linoleum and  
Marmoleum Decibel 3.5



100% recycled chipboard (optional)



Bevelled edge



### Environmentally friendly choice

The Desktop Linoleum and Marmoleum Decibel 3.5 surfaces are made of all-natural raw materials and are CO<sub>2</sub>-neutral.



Desktop Linoleum and Marmoleum Decibel 3.5

## TRAPETS desktop

A trapezoidal desktop for flexible construction, ideal for touch-down workplaces, group constellations, co-working surfaces and conferencing surfaces. Design Dan Ihreborn.

**Desktop linoleum (DT):** CO<sub>2</sub>-neutral furniture linoleum surface, MDF core.

Dimensions (mm)	Desktop colour	Edge	Standard*/Selected**	Item no.
1220 x 635 x 10	Optional	Bevelled	Selected	389564

**High-Pressure Laminate (HPL):** High-Pressure Laminate surface, MDF core.

Dimensions (mm)	Desktop colour	Edge	Standard*/Selected**	Item no.
1220 x 635 x 10	White	Bevelled	Standard	389560
1220 x 635 x 10	Grey	Bevelled	Selected	389561
1220 x 635 x 10	White Ash	Bevelled	Selected	389562
1220 x 635 x 10	Blackened Legno	Bevelled	Selected	389563

Select a DESK 900 stand for a TRAPETS desktop; see pages 7-8. For desktop and stand colours and materials, see below.

*Standard\* = standard product range with immediate delivery.*

*Selected\*\* = our selected colours/finishes at fixed prices, with a delivery time of 6-8 weeks. Cutting charges may apply.*



## HEIGHT-ADJUSTABLE DESKS



### **BLOSSOM desktop**

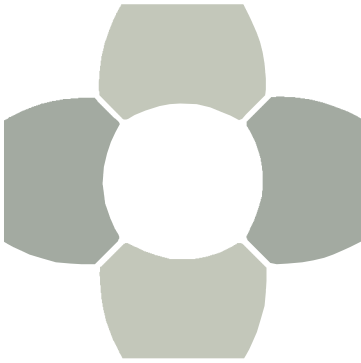
BLOSSOM is part of our height-adjustable, manually operated StandUp desk series. The height of the desk can be quickly, easily, and soundlessly adjusted via a lever on the side that is connected to a gas spring. These desks have been designed to “bloom” in various configurations. The desktop can be turned in two different directions to create group tables, project surfaces and various room-adapted configurations, and can be moved around as needed. BLOSSOM is a flexible desk. The same desk can be used both as an individual desk or for forming group tables. The desk is at home in the workplace, in conference areas, or in the classroom.

The desk is designed with sustainability in focus, without cords or environmentally harmful batteries.

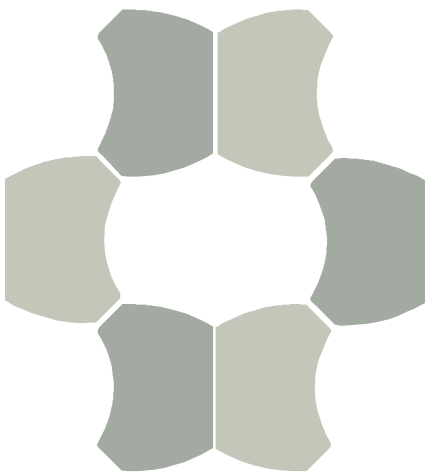
BLOSSOM is available with a straight or bevelled edge. Wheels on the front legs and a fold-down top are available as optional extras for the stand. Select the colour of the frame and then the material and colour of the desktop and edging.

Below you will find our Standard and Selected product ranges. The BLOSSOM frame and BLOSSOM desktop are also available in custom colours and dimensions, as a Special order. Request a price quote.

Design Dan Ihreborn.



This configuration: 1840x1840 mm (3.4 m<sup>2</sup>)



This configuration: 2340x2200 mm (5.10 m<sup>2</sup>)

H 20-22.5  
L 880  
W 610

## Environmentally friendly choice

Our desktops can be ordered with 100% recycled chipboard cores for a fixed addition of 23 €/pc. The Desktop Linoleum and Marmoleum Decibel 3.5 surfaces are made of all-natural raw materials and are CO<sub>2</sub>neutral.



Furniture Linoleum and  
Marmoleum Decibel



100% recycled chipboard (optional)

## BLOSSOM desktops

**Desktop Linoleum (DT):** CO<sub>2</sub>-neutral furniture linoleum surface, chipboard (straight edge) or MDF (bevelled edge) core.

Dimensions (mm)	Desktop colour	Edge	Standard*/ Selected**	Item no.
880 x 610 x 20	Optional	Straight	Selected	385100
880 x 610 x 10	Optional	Bevelled	Selected	385101

**Laminate (LM):** Laminate surface, chipboard core.

Dimensions (mm)	Desktop colour	Edge	Standard*/ Selected**	Item no.
880 x 610 x 20	Optional	Straight	Selected	385109

**High-Pressure Laminate (HPL):** High-Pressure Laminate surface, MDF core.

Dimensions (mm)	Desktop colour	Edge	Standard*/ Selected**	Item no.
880 x 610 x 20	Optional	Straight	Selected	385112
880 x 610 x 10	Optional	Bevelled	Selected	385113

## Sound-absorbing desktops

**Marmoleum Decibel (MD):** CO<sub>2</sub>-neutral, Marmoleum Decibel 3.5 linoleum surface, chipboard core.

Dimensions (mm)	Desktop colour	Edge	Standard*/ Selected**	Item no.
880 x 610 x 22.5	Optional	Straight	Selected	385103

**Acoustic laminate (SLS):** Laminate surface with cork sound absorption, chipboard core.

Dimensions (mm)	Desktop colour	Edge	Standard*/ Selected**	Item no.
880 x 610 x 22.5	Optional	Straight	Selected	385106

Select a BLOSSOM frame for a BLOSSOM desktop; see page 8.  
For desktop and stand colours and materials, see below.

*Standard\* = standard product range with immediate delivery.*

*Selected\*\* = our selected colours/finishes at fixed prices, with a delivery time of 6-8 weeks. Cutting charges may apply.*

**COLOURS**  
**MATERIAL**  
**SURFACE TREATMENT**

## STANDARD/SELECTED

Below you will find our metal and surface treatments for the Standard and Selected product ranges. Standard products are available for immediate delivery at a fixed price. Selected products come in selected colours and materials, with a 6 to 8-week delivery time at a fixed price. You can also make a Special order for even more options. Price upon request.

### CHROME

For surfaces that require extremely high wear resistance, MATTING offers chrome finishes. We use only environmental chrome, which is predominantly manufactured using Nordic Ecolabelled production processes.

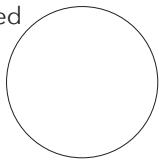
### ELECTROPLATED

Zinc electroplating creates a beautiful and resistant surface that has a self-healing ability when it comes to minor damage. The surface acquires an attractive patina. Electroplating involves applying a thin layer of zinc on top of another metal (usually steel) through an electrolytic process, to protect against rust.

### TEXTURED LACQUER/FINISH

A textured lacquer, powder-coated finish creates a beautiful surface with more texture as well as increased resistance to scratches/damage.

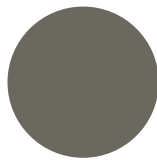
Powder-coated  
colour



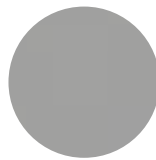
White, RAL 9010



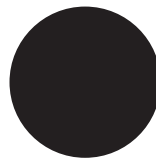
Grey, RAL 7010



Grey, RAL 7039



Silver, RAL 9006

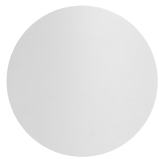


Black, RAL 9005



Sandstone Grey, RAL 7044

Smooth  
colour



White

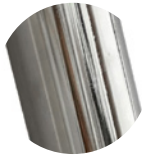


Black

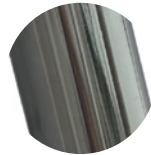


Sandstone Grey

Surface  
treatment



Chrome



Electroplated

**STANDARD/SELECTED**

Below you will find our wood materials and surfaces for the Standard and Selected product ranges. Standard products are available for immediate delivery at a fixed price. Selected products come in selected colours and materials, with a 6 to 8-week delivery time at a fixed price. You can also make a Special order for even more options. Price upon request; see links below. If you have a request for more than 24 pieces, please contact us for a price quote.



**THE MOST ENVIRONMENTALLY FRIENDLY CHOICE**

- Select:
- 100% recycled chipboard (optional)
  - CO<sub>2</sub> neutral materials such as Desktop (DT) or Marmoleum Decibel 3.5 (MD).

**SPECIAL**

Our desktops are available in a wide selection of colours, for:

- Desktop Linoleum; see colour selection [here](#).
- High-Pressure Laminate; see colour selection [here](#).
- Marmoleum Decibel 3.5; see colour selection [here](#).

**CHIPBOARD OR MDF CORE**

Our desktops with straight edges are available with chipboard or MDF cores. Desktops with bevelled edges always have MDF cores. 100% recycled chipboard may be selected for an additional 23 €/pc.

**DESKTOP (DT)**

Desktop Furniture Linoleum is CO<sub>2</sub>-neutral and an environmentally friendly choice. A natural, elegant, durable, high-quality surface that acquires a fine patina over time. It has a silk matte finish with a warm, soft texture that shows no fingerprints. Furniture Linoleum is naturally antistatic. The surface actively counteracts the build-up of static charges while simultaneously preventing dust and dirt from sticking to the surface. Made exclusively of natural raw materials such as linseed oil, pine resin, etc.

MATTING offers Furniture Linoleum desktop surfaces with a chipboard or MDF core.

**LAMINATE (LM)/HIGH-PRESSURE LAMINATE (HPL):**

Laminate is a durable, sustainable and hygienic surface material. It is made by pressing several layers of impregnated paper together under high pressure and high temperature.

MATTING offers laminate as a surface on chipboard.

High-Pressure Laminate is an even more durable and durable surface material than laminate, with a stronger surface layer. It is a hygienic surface material that is easy to clean and maintain. Resistant to: water, chemicals, wear, scratches, colour fading and stains. Made by pressing several layers of impregnated paper together under high pressure and high temperature.

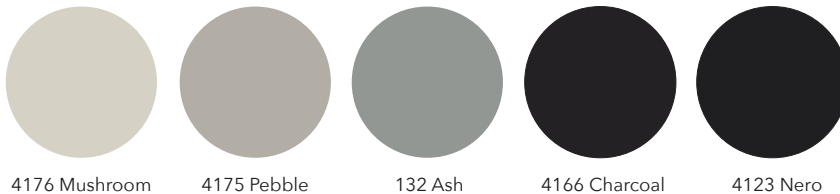
MATTING offers High-Pressure Laminate as a surface on chipboard or MDF.

**MARMOLEUM DECIBEL (MD)**

Marmoleum Decibel is an acoustic linoleum that provides a noise reduction of up to 18 dB. It consists of 2.5 mm Marmoleum Real linoleum with CO<sub>2</sub>-neutral material that is laminated on top of a 1 mm layer of polyolefin foam. Made exclusively from natural, low-emission, biological raw materials, free from plasticisers and synthetic additives.

MATTING offers Marmoleum Decibel as a surface on chipboard or MDF.

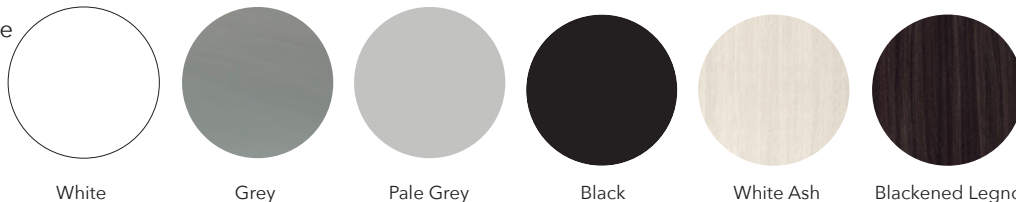
Desktop (DT)



Laminate (LM)



High-Pressure Laminate (HPL)



Marmoleum Decibel 3.5 (MD)

